

4100i



4100 INSERT WITH METAL SURROUND AND CLASSIC BLACK CAST IRON TRIM KIT, AND SATIN NICKEL DOOR TRIM KIT

Peak
BTU/hr Output¹
60,500

Heating Capacity²
1,100-2,800
sq ft

Max. Burn Time
12 hrs

Efficiency³
78.5%

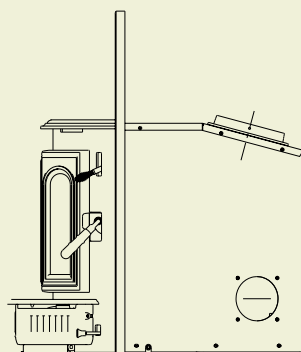
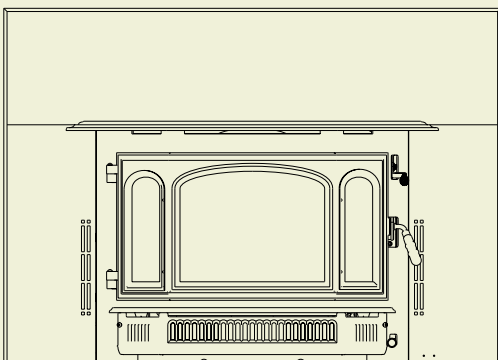
Emissions
4.3 g/hr

Firebox
2.43 cu ft

Recommended
Log Length
18"

Blower System
140 cfm

Weight
345lb



4100i INSERT