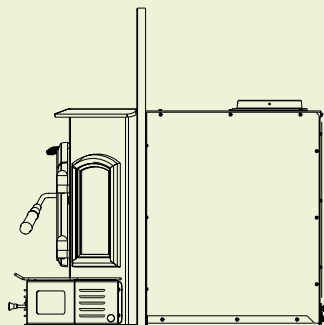
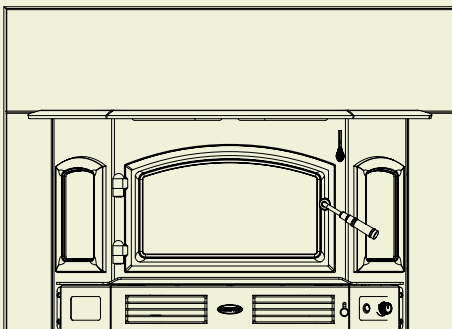


5100i



5100 INSERT WITH METAL SURROUND AND SATIN NICKEL TRIM KIT, AND DOOR TRIM KIT WHICH INCLUDES DOOR, SIDE WINDOWS, HINGE PINS AND AIR CONTROL HANDLE

Peak BTU/hr Output ¹ 67,800	Heating Capacity ² 1,200-3,100 sq ft	Max. Burn Time 14 hrs	Efficiency ³ 79.1%	Emissions 4.2 g/hr	Firebox 3.0 cu ft	Recommended Log Length 20"	Blower System 140 cfm	Weight 480lb
---	--	---------------------------------	---	------------------------------	-----------------------------	---	---------------------------------	------------------------



5100i INSERT