

HARMAN™

BUILT TO A STANDARD, NOT A PRICE



ACCENTRA
PELLET INSERT



BUILT TO A STANDARD NOT A PRICE

Sealed hopper
holds up to 57 lbs.

Variable-speed
blower

Hinged control
panel behind
left door



Large hopper
opening



Optional
ceramic log set

Large, clean
viewing area

Nautical medallion



ACCENTRA PELLET INSERT

The Accentra is the best-selling pellet insert in the industry. This high-efficiency unit uses Harman PelletPro™ and ESP technology to burn any grade of pellet with even heat and precision control. Basic maintenance can also be performed without shutting down the unit—for true 24-hour heating. Traditional cast iron craftsmanship and clean lines compliment multiple décor styles.

Upgrade any existing fireplace opening. Even heat, distinctive features and easy maintenance make the Accentra a practical heating solution “Built to a standard, not a price.”





Accentra shown standard.



Accentra shown with optional ceramic log set.

FEATURES & OPTIONS

Distinctive features offer convenience, safety and style. Just fill the hopper, set the desired temperature, and relax.

Features

- 42,000 BTUs — heats 800 to 2,200 square feet¹
- Up to 57 lb. hopper capacity
- 77% efficiency
- Automatic ignition and temperature control
- Harman insert track system
- Exclusive door air wash system

Options

- Ceramic log set
- Outside air kit
- 3" vent pipe
- Zero-clearance housing
- Harman insert track installation supports

PelletPro™ System

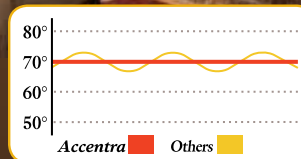
The patented PelletPro system makes it possible to burn any grade of pellet fuel with maximum heat and efficiency. A bottom-up feeding system burns each pellet completely and allows for 24-hour heating.

Scan with your smartphone to learn more about the PelletPro System, or visit HarmanStoves.com.



ESP Temperature Control

Harman pellet stoves utilize an advanced Exhaust Sensing Probe (ESP) system to deliver precision heating control. ESP constantly monitors and adjusts heat output to maintain set room temperatures within 1 degree.



ESP temperature control helps maintain a consistent room temperature.

Scan with your smartphone to learn more about ESP Temperature Control, or visit HarmanStoves.com.

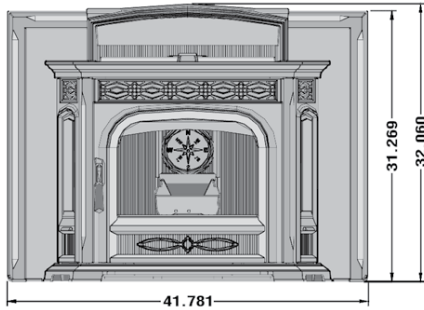


SPECIFICATIONS

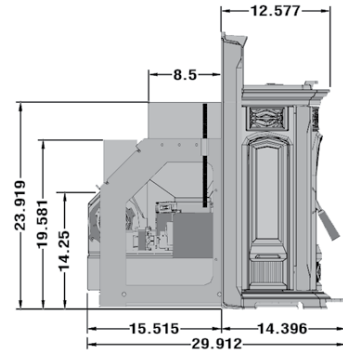
ACCENTRA PELLETT INSERT	BTU/hr Input	Heating Capacity ¹	Hopper Capacity	Fuel Type	Blower Size	Electrical	Weight	Height	Width	Depth	Venting Size	Feed Rate
	0 - 42,000	800 - 2,200 sq. ft.	20" fireplace opening: 38 lbs. 22" fireplace opening: 48 lbs. 24" fireplace opening: 57 lbs.	Wood Pellets	180 cfm	Avg. 255 watts	450 lbs. with surround	32.06"	41.78"	29.91"	4" PL pellet vent pipe standard, 3" PL pellet vent pipe option with fireplace housing†	1 lb./hr min. 5 lbs./hr max.

Dimensions

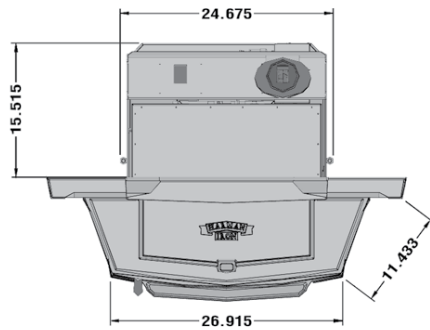
Front View



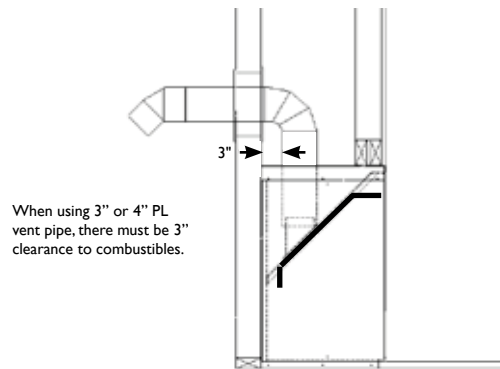
Side View



Top View



Zero Clearance Side View



Clearances to Combustibles

Side wing to trim	Front hearth protection	Top of insert to mantel trim or ledge	Zero clearance housing (optional)
0"	US: 6", Canada: 16"	12"	3" from exhaust vent — See illustration above

YOUR HARMAN DEALER IS:

HARMANTM
BUILT TO A STANDARD, NOT A PRICE

A brand of
Hearth & Home Technologies®

352 MOUNTAIN HOUSE ROAD
HALIFAX, PA 17032
WWW.HARMANSTOVES.COM

facebook.com/HarmanStoves
twitter.com/HarmanStoves
youtube.com/HarmanStoves

LIMITED LIFETIME WARRANTY²

The strongest in the industry, Harman provides a limited lifetime warranty on most important aspects: firebox and heat exchanger.

¹: See your local authorized Harman dealer for help in determining the product that best suits your heating needs based on climate and home efficiency.

²: For full warranty details, visit www.harmanstoves.com

Actual product appearance, including flame, may differ from image. Tested to: CAN/CSA B366.10-M91, UL 391, ASTM E 1509-95, UL C 1482-M1990. Product specifications and pricing subject to change without notice. The images and descriptions in this brochure are provided to assist you in product selection only. Fuel density and pellet shape may affect hopper capacity. Btu's may vary depending on type of fuel used. Refer to installation manual for complete clearance requirements and specifications.

Fireplace, stove and insert surfaces get extremely HOT and can cause severe burns if touched. Keep a safe distance away. To learn more visit www.harmanstoves.com/fireplacesafety

HAR-1103U-0712