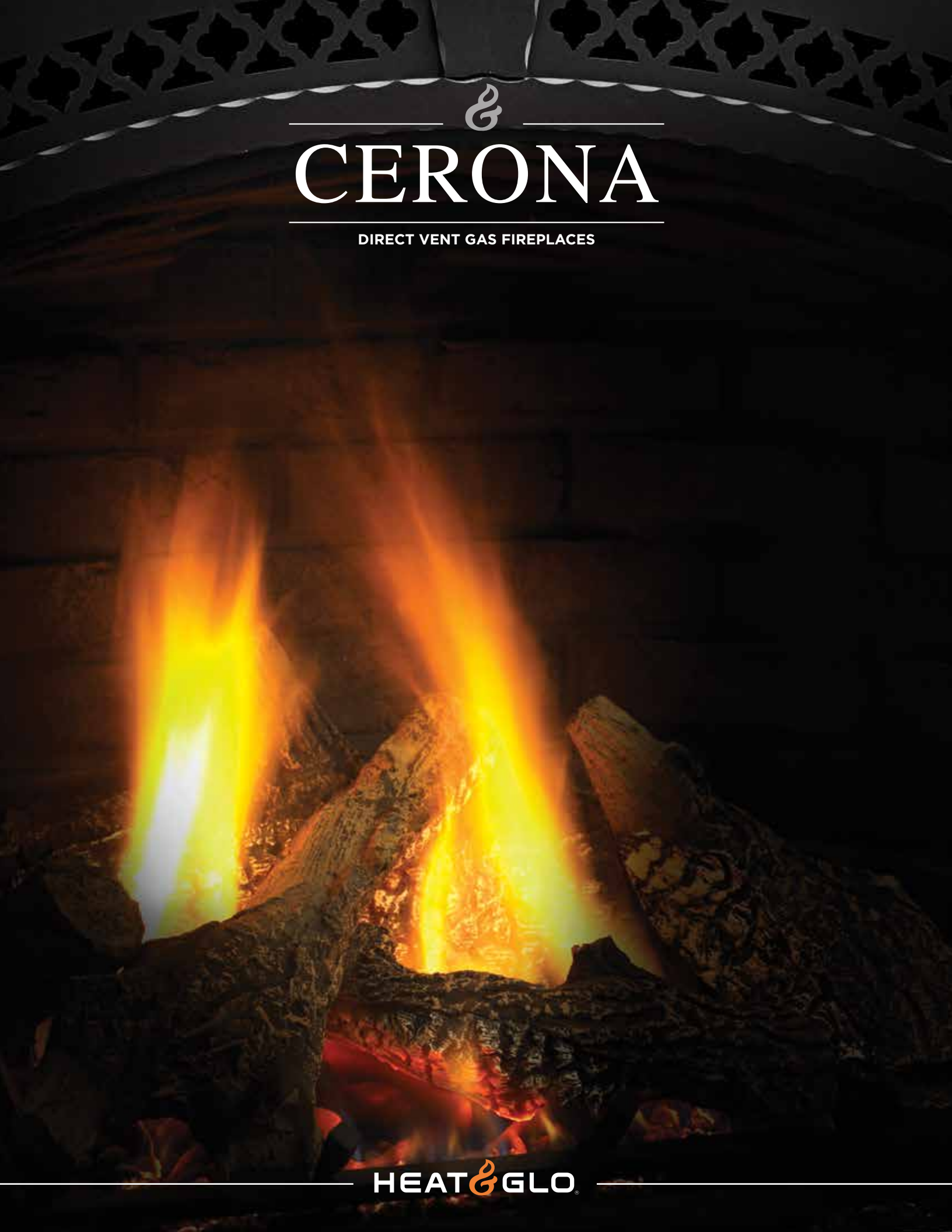




CERONA

DIRECT VENT GAS FIREPLACES



HEAT & GLO



ARCHED
ELEGANCE

CERONA

It starts with patented, heat-radiating FireBrick® material. Skillfully molded with seamless cantilevered corners and textured detail, the Cerona takes form. It ends in the only true-arched fireplace of its kind—a modern take on an enduring classic. In 36 and 42-inch sizes.

VIVID FIRES

The flames within the Cerona rise up through an elevated FireBrick burner. It warms. It glows. And adds depth to a luminous ember bed.

VARIABLE HEAT

Easily adjust the powerful heat output of the Cerona. Up to 30% turndown helps create your ideal warmth. Optional technologies can also distribute heat to other areas of the home.



FRONT OPTIONS

Select a front for a custom look. Available in black, graphite or new bronze.



CHATEAU



CHATEAU DELUXE



VALENCIA



GRAPHITE

FINISHES

OPTIONAL REMOTE

Set the mood from a distance with an optional remote.



CERONA TECHNOLOGIES

INTELLIFIRE™ IGNITION SYSTEM



The IntelliFire™ Ignition System (IPI) is an advanced intermittent pilot ignition system. IPI constantly monitors ignition, ensures safe functioning and conserves up to \$10/month in energy costs.

FIREBRICK® TECHNOLOGY



FireBrick is a patented, energy-saving ceramic material molded into an authentic masonry design. FireBrick produces up to 25% more radiant heat than metal fireboxes—heating rooms faster and using less fuel. This increases efficiency and reduces heating costs.

DIRECT VENT TECHNOLOGY



Direct Vent fireplaces remove 100% of combustion exhaust and odors outside of the home. These sealed fireplaces provide optimal heat, conserve energy and ensure clean, safe indoor air quality.

HEAT ZONE TECHNOLOGY



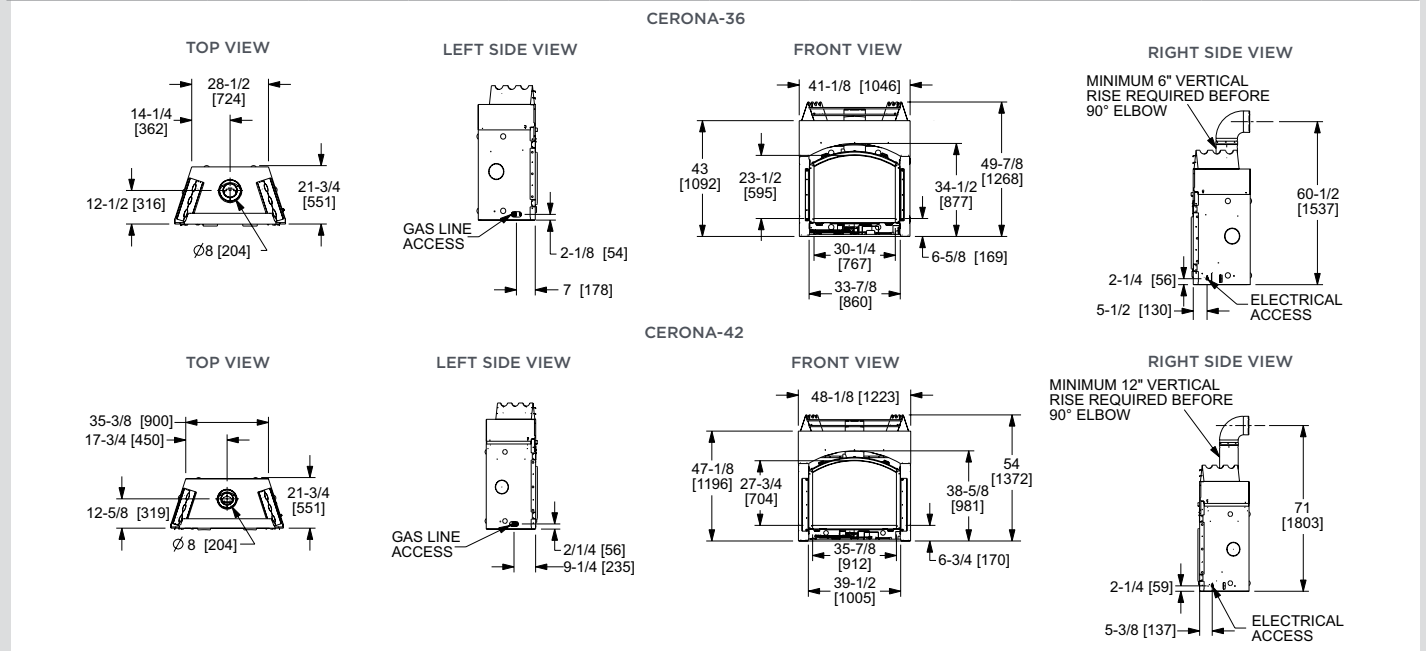
Draw heat from the Cerona into another room of the home, up to 20 feet away. When a heat zone kit is run continuously, it will redirect up to 25% of the fireplace's heat to another area, thus reducing wall temperatures above the fireplace. Two heat zones run continuously will redirect up to 50% of the fireplace's heat.

Cover: CERONA 36

Left: CERONA 42 shown with chateau deluxe front in black
Above: CERONA 42 shown with valencia front in black

CERONA SPECIFICATIONS

MODEL	FRONT WIDTH		BACK WIDTH		HEIGHT		DEPTH		GLASS SIZE	BTU/HR INPUT
	UNIT	FRAMING	UNIT	FRAMING	UNIT	FRAMING	UNIT	FRAMING		
CERONA-36	41-1/8 [1046]	42-1/8 [1070]	28-1/2 [724]	42-1/8 [1070]	49-7/8 [1268]	50-1/2 [1283]	21-3/4 [551]	22-1/4 [565]	30-1/4 X 23-1/2 [767 X 595]	25,000-37,500 (NG)
CERONA-42	48-1/8 [1223]	49-1/8 [1248]	35-3/8 [900]	49-1/8 [1248]	54 [1372]	54-1/2 [1384]	21-3/4 [551]	22-1/4 [565]	35-7/8 X 27-3/4 [912 X 704]	32,000-48,000 (NG)



Dimensions in diagrams are in inches and millimeters. Dimensions in table are in inches. Product information is not complete and is subject to change without notice. Product installation must adhere strictly to instructions shipped with product. We recommend measuring individual units at installation. Assumes the use of 1/2" sheetrock. NOTE: Combustible material should not cover the face. Make sure you do NOT cover the decorative door opening.

Refer to installation manual for detailed specifications on installing this product. Heat & Glo reserves the right to update units periodically. The flame and ember appearance may vary based on the type of fuel burned and the venting configuration used. Actual product appearance, including flame, may differ from product images.

U.S. EFFICIENCIES

Steady State - Since most homeowners use their fireplaces for an extended time while they are in the room, Steady State measures how efficiently your fireplace converts fuel to heat once it is warmed up and running in a "steady state".

AFUE - AFUE rating is more typically used with appliances, like your furnace, that continually cycle on and off to maintain a constant temperature.

RATING	CERONA-36	CERONA-42
STEADY STATE	77.5% (NG), 77.5% (LP)	78.1% (NG), 78.1% (LP)
AFUE	61.4% (NG), 64.8% (LP)	60.7% (NG), 63.6% (LP)

CANADA EFFICIENCIES

EnerGuide (CSA P.4.1-02) - EnerGuide is a rating used in Canada to measure annual fireplace efficiency.

RATING	CERONA-36	CERONA-42
ENERGUIDE (CSA P.4.1-02)	64.1% (NG), 65.6% (LP)	63.0% (NG), 64.1% (LP)

For complete information on this model, please contact us at:



Web: heatnglo.com
 Phone: (888) 427-3973 (952) 985-6000
 E-mail: info@heatnglo.com

- facebook.com/HeatandGlo
- twitter.com/HeatandGlo
- youtube.com/HeatandGlo

HNG-1065U-0915

LIMITED LIFETIME WARRANTY*

The strongest in the industry, Heat & Glo® provides a limited lifetime warranty on the most important aspects: firebox and heat exchanger.

*For full warranty details, go to www.heatnglo.com. Fireplace glass and other surfaces get extremely HOT and can cause severe burns if touched. Do not remove the protective safety screen from the front of the glass. Keep a safe distance away. To learn more visit www.heatnglo.com/fireplacesafety

