



DESIGNED | *to inspire*

CORNER SERIES

Multi-Sided Direct Vent Gas Fireplaces

CORNER SERIES

Experience Fire In More Ways

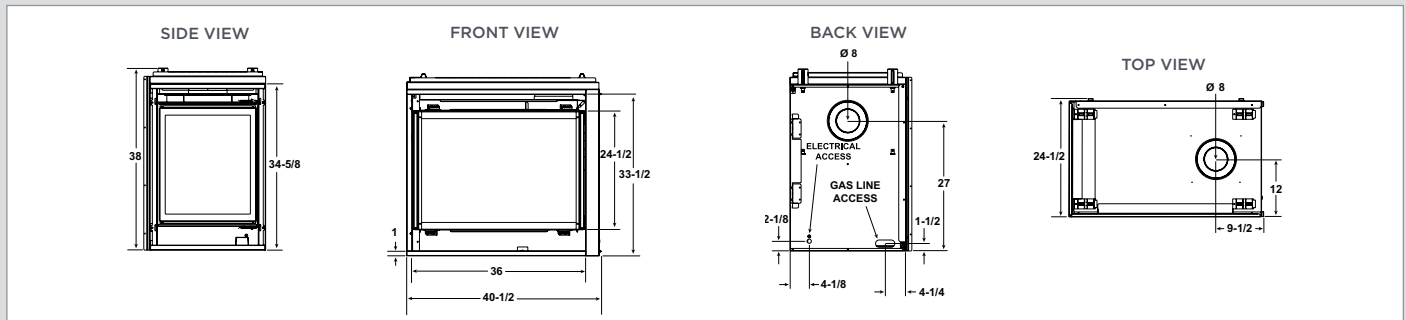
Put dull, dark corners to use and add value to your homes. These multi-sided models add light, warmth and distinct architectural detail to any space. Unique right or left-facing installation options provide elegant design upgrades. Offer customization to homebuyers with multiple finishing options.

Cover & Right: LCOR-36TRB shown with Aero front.



CORNER SERIES SPECIFICATIONS

MODEL	FRONT WIDTH		BACK WIDTH		HEIGHT		DEPTH		GLASS SIZE	BTU/HOUR INPUT (NG)
	UNIT	FRAMING	UNIT	FRAMING	UNIT	FRAMING	UNIT	FRAMING		
LCOR-36TRB RCOR-36TRB	40-1/2	40	40 -1/2	40	38	38-1/8	24-1/2	24	36 X 24-1/2	26,000 - 37,000



Dimensions above are in inches. Reference dimensions only. We recommend measuring individual units at installation. NOTE: Combustible material should not be installed over the face. Make sure you do NOT cover the decorative door opening.

Refer to installation manual for detailed specifications on installing this product. Heat & Glo reserves the right to update units periodically. The flame and ember appearance may vary based on the type of fuel burned and the venting configuration used. Pictures in this brochure are not a true representation of the fireplace and/or flames.

FEATURES

- Installed junction box for optional fan or remote
- Standard safety barrier screen
- Metal refractory in traditional brick pattern
- Detailed log set

INTELLIFIRE™ IGNITION SYSTEM

The IntelliFire™ Ignition System (IPI) is an advanced intermittent pilot ignition system. IPI constantly monitors ignition, ensures safe functioning and conserves up to \$10 per month in energy costs.

To learn more, scan the code with your smartphone, or visit heatnglo.com.



DIRECT VENT TECHNOLOGY

Direct Vent fireplaces remove 100% of combustion exhaust and odors outside of the home. These sealed fireplaces provide optimal heat, conserve energy and ensure clean, safe indoor air quality.

To learn more, scan the code with your smartphone, or visit heatnglo.com.

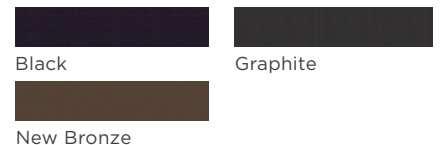


AERO FRONT



Aero front in black

FINISH OPTIONS



LIMITED LIFETIME WARRANTY¹

The strongest in the industry, Heat & Glo® provides a limited lifetime warranty on the most important aspects: firebox and heat exchanger.

¹: For full warranty details go to heatnglo.com.

Fireplace glass and other surfaces get extremely HOT and can cause severe burns if touched. Do not remove the protective safety screen from the front of the glass. Keep a safe distance away. To learn more visit www.heatnglo.com/fireplacesafety

For complete information on this model, please contact us at:

HEAT & GLO

No one builds a better fire

A brand of Hearth & Home Technologies®

7571 215th Street West, Lakeville, MN 55044

Web: heatnglo.com

Phone: (888) 427-3973 (952) 985-6000

E-mail: info@heatnglo.com

[facebook.com/HeatandGlo](https://www.facebook.com/HeatandGlo)

twitter.com/HeatandGlo

[youtube.com/HeatandGlo](https://www.youtube.com/HeatandGlo)

HNG-1011U-0913

