

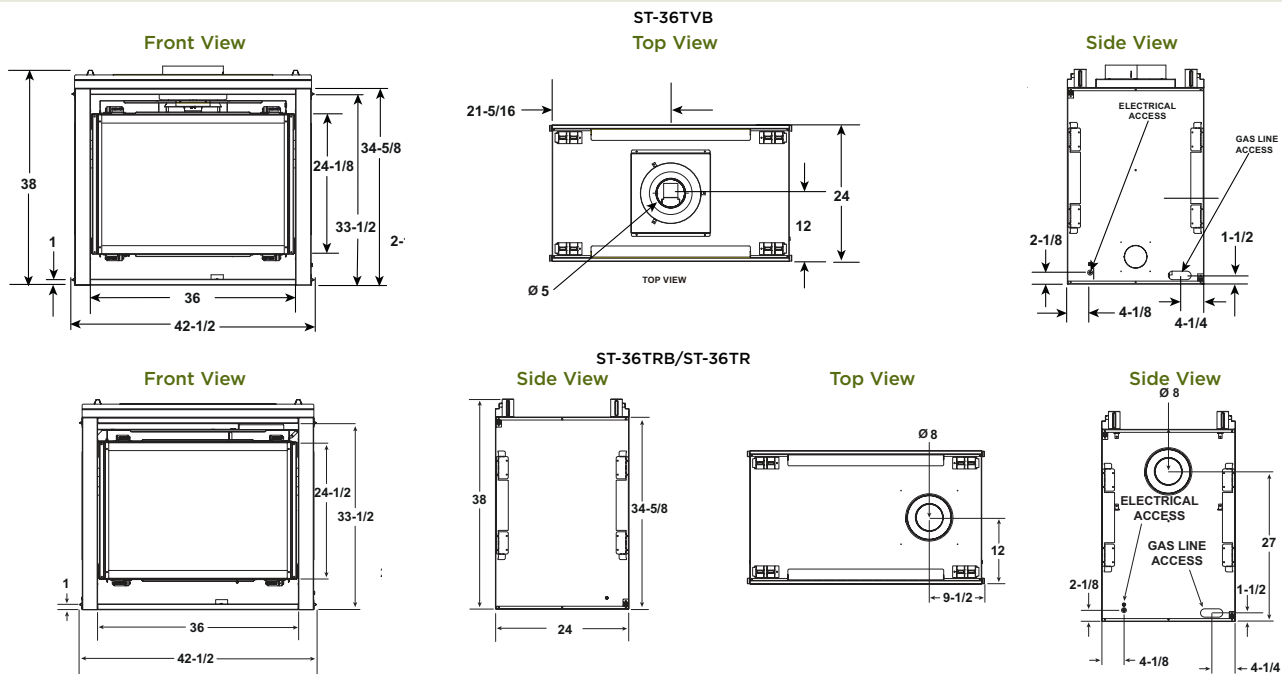


HEAT & GLO™
No one builds a better fire

ST-36 Series
See-Through
Gas Fireplaces

ST-36 Series Specifications

MODEL	FRONT WIDTH		BACK WIDTH		HEIGHT		DEPTH		VIEWING AREA	BTU/HOUR INPUT
	Actual	Framing	Actual	Framing	Actual	Framing	Actual	Framing		
ST-36TVB	42-1/2	43	42-1/2	43	38	38-1/2	24	23	36 x 24-1/8	26,000 - 37,000
ST-36TRB ST-36TR	42-1/2	43	42-1/2	43	38	38-1/8	24	23	36 x 24-1/2	26,000 - 37,000



Dimensions above are in inches. Reference dimensions only. We recommend measuring individual units at installation. Assumes the use of 1/2" Sheetrock. NOTE: Non-combustible material is allowed over this dimension. Make sure you do NOT cover the decorative door opening.

Refer to installation manual for detailed specifications on installing this product. Heat & Glo reserves the right to update units periodically. The flame and ember appearance may vary based on the type of fuel burned and the venting configuration used. Pictures in this brochure are not true representation of the fireplace, flames and/or finishes.

ST-36 Series Features

- Installed junction box for optional fan or remote
- Sealed combustion chamber for healthy indoor air quality
- In case of power failure, gas fireplaces from Heat & Glo with IntelliFire ignition will continue to operate
- Standard mesh screen eliminates glass glare and prevents accidental contact
- Rich, natural-looking fire makes any model feel like home
- ST-36TR comes with ceramic burner, electric ember bed, and wall control standard

IntelliFire™

Our exclusive, state-of-the-art IntelliFire ignition system reduces gas consumption and thermogenerator wear by providing a pilot flame only when needed. Also supplies a back-up battery system to run the fireplace during a power outage.

U.S. Efficiencies

Steady State - Since most homeowners use their fireplaces for an extended time while they are in the room, Steady State measures how efficiently your fireplace converts fuel to heat once it is warmed up and running in a "steady state".

AFUE - AFUE rating is more typically used with appliances, like your furnace, that continually cycle on and off to maintain a constant temperature.

Canada Efficiencies

EnerGuide (CSAP.4.1-02) - EnerGuide is a rating used in Canada to measure annual fireplace efficiency.

Rating	NG	LP
Steady State	72%	72%
AFUE	59%	62%

Rating	NG	LP
EnerGuide (CSAP.4.1-02)	61%	62%

For complete information on this model, please contact us at:

HEAT & GLO

No one builds a better fire

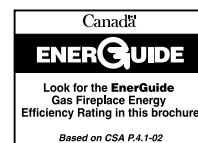
A brand of Hearth & Home Technologies Inc.™

7571 215th Street West, Lakeville, MN 55044
 Web: heatnglo.com
 Phone: (888) 427-3973 (952) 985-6000
 E-mail: info@heatnglo.com

For full warranty details, go to www.heatnglo.com.

Limited Lifetime Warranty*

The strongest in the industry, Heat & Glo provides a limited lifetime warranty on the most important aspects: firebox and heat exchanger.



HNG-1051U-1109