

heatilator®
The first name in fireplaces.



Element

wood-burning fireplaces

Element wood-burning fireplaces

Traditional Style *Proven Value*

Add traditional style and ambiance to your favorite space with the Heatilator Element. A detailed brick interior creates the look of classic masonry at a fraction of the cost. And, all you see is fire—a clean finish with true 36- and 42-inch viewing areas deliver maximum impact.

Experience proven value and dependability from Heatilator. Experience the Element.

Features

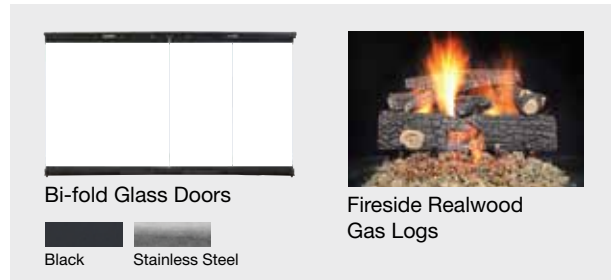
- 36" or 42" viewing areas
- Bi-fold glass doors available with multiple trim options
- Convenient ash lip
- User-friendly front damper handle locks in open/closed positions
- A hearth extension is required

Options (Shown Right)

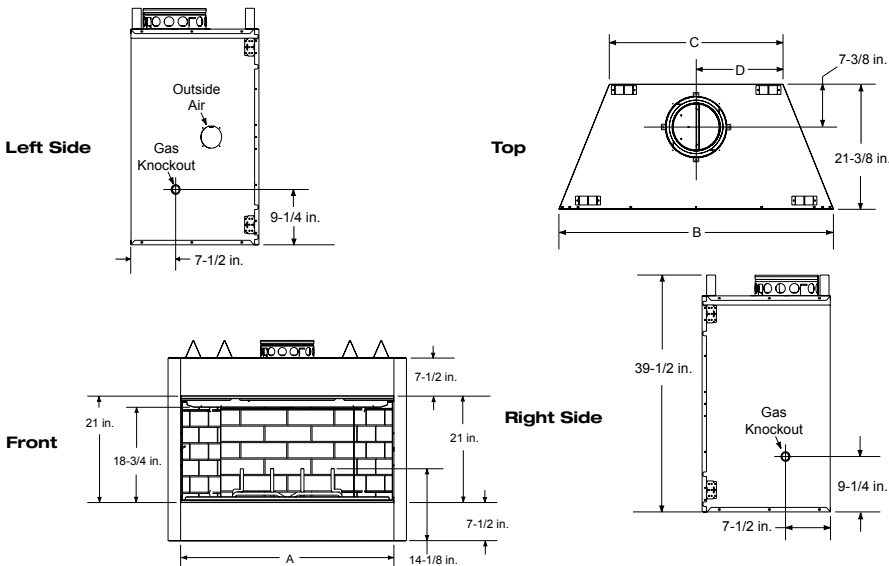
- Bi-fold glass doors
- Fireside gas logs



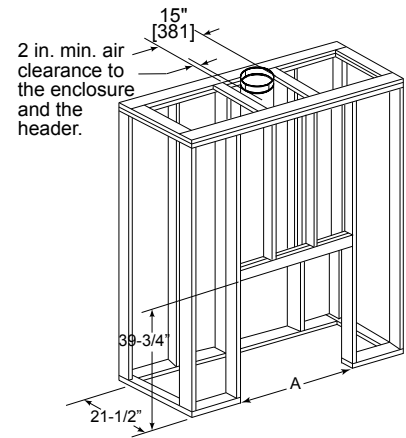
Cover/Above: Element shown with fairfield mantel, green granite and bi-fold glass doors



Dimensions



Framing Dimensions



| MODEL | A | B | C | D |
|-------|-----|-----|---------|---------|
| EL36 | 36" | 41" | 23-3/4" | 11-7/8" |
| EL42 | 42" | 47" | 29-3/4" | 14-7/8" |

| MODEL | A |
|-------|-----|
| EL36 | 42" |
| EL42 | 48" |

Available From

heatilator
The first name in fireplaces

Phone: 800-927-6841
Web: heatilator.com

- facebook.com/Heatilator
- twitter.com/Heatilator
- youtube.com/HeatilatorFireplaces

UL US LISTED HTL-1020U-0915

Limited Lifetime Warranty*

The strongest in the industry, Heatilator provides a limited lifetime warranty on wood-burning products of the most important aspects: firebox and heat exchanger.

*For full warranty details go to heatilator.com.

The information provided in this literature is for planning purposes only and subject to change. Please consult the installation manual for actual installation. Actual product appearance may differ from product images.

Fireplace glass and other surfaces get extremely HOT and can cause severe burns if touched. Do not remove the protective safety screen from the front of the glass. Keep a safe distance away. To learn more visit www.heatilator.com/fireplacesafety