



The Mesa Collection

by Lloyd Flanders®

Dimensions - Sectional Layouts - Care & Maintenance



Armless Dining Chair
39" H x 21" W x 26" D



Lounge Chair
30.75" H x 33.5" W x 35" D
Arm Height: 21" H



Glider Lounge Chair
30.75" H x 33.5" W x 35" D
Arm Height: 21" H



Ottoman
11.25" H x 24" W x 20" D



Right Arm Chaise
31.5" H x 28.75" W x 60" D
Arm Height: 20.75" H



Left Arm Chaise
31.5" H x 28.75" W x 60" D
Arm Height: 20.75" H



Right Arm Love Seat
30.75" H x 51.5" W x 34.5" D
Arm Height: 20.75" H



Left Arm Love Seat
30.75" H x 51.5" W x 34.5" D
Arm Height: 20.75" H



Armless Sectional
31.25" H x 23.5" W x 34" D



Corner Sectional
31.25" H x 35.25" W x 35.25" D



Love Seat
30.75" H x 56.5" W x 35" D
Arm Height: 20.75" H



Sofa
31.25" H x 81" W x 34.5" D
Arm Height: 20.75" H



Curved Sectional Sofa
30" H x 83" W x 35.5" D



Wedge Table
22" H x 35.5" W x 15.5" D



Cube End Table
20" H x 22" W x 22" D



Rect. Umbrella Table
29" H x 72" W x 40" D



Rect. Fire Table
25.5" H x 52" W x 32" D



Round Fire Table
25.5" H x 48" W x 48" D

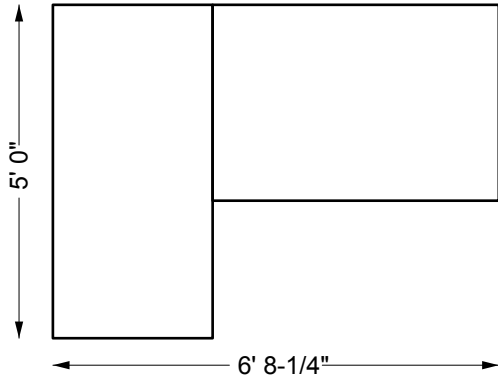


LLOYD FLANDERS®

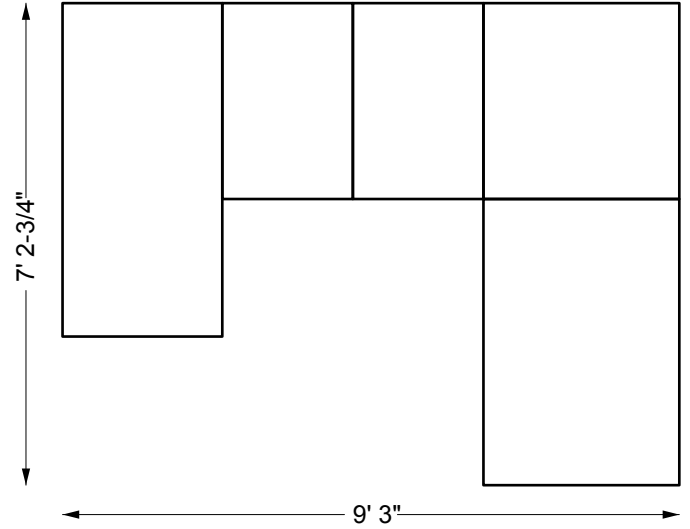
WOVEN FOR LIFE

Mesa Sectional Layout Examples

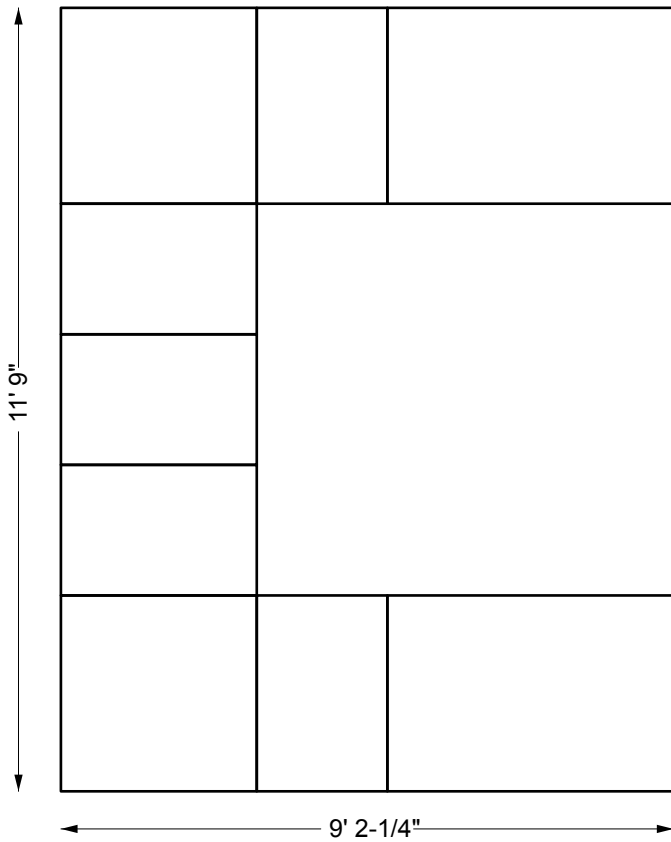
Shown at 1:34.5 Scale w/ Approx. Full-Scale Measurements



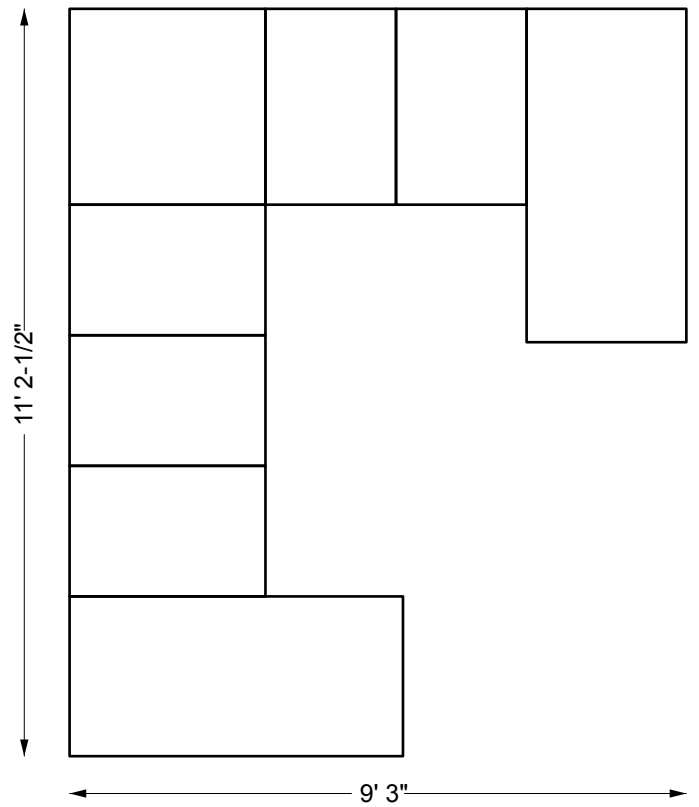
1 Right Arm Chaise, 1 Left Arm Sectional



1 Right Arm Chaise, 2 Armless,
1 Corner, 1 Left Arm Love Seat



2 Corners, 5 Armless,
1 Right Arm Love Seat
1 Left Arm Love Seat



1 Corner, 5 Armless,
1 Right Arm Chaise
1 Left Arm Chaise

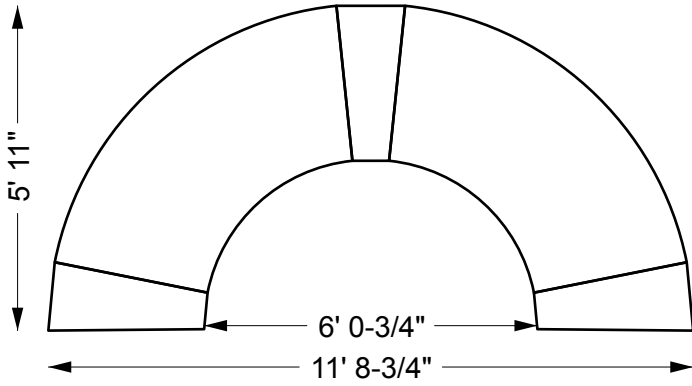


LLOYD FLANDERS®

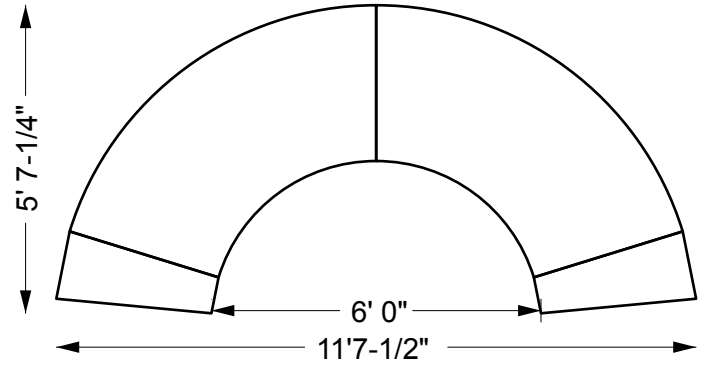
WOVEN FOR LIFE

Mesa Curve Sectional Layout Examples

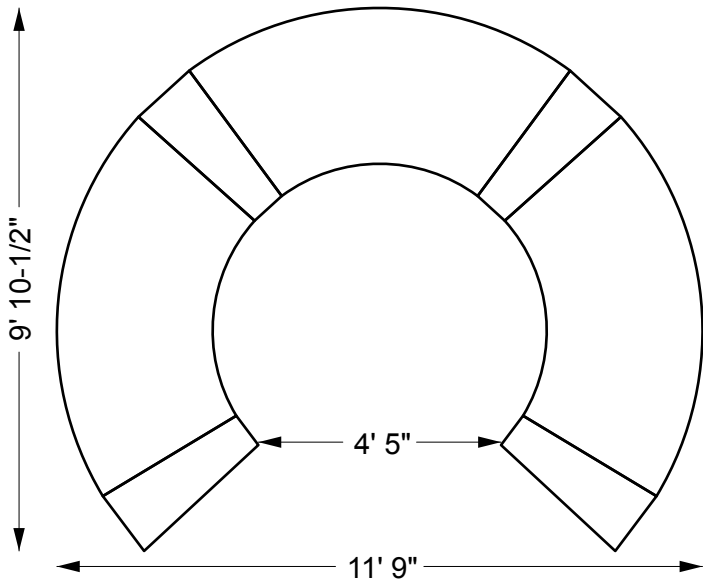
Shown at 1:41.9 Scale w/ Approx. Full-Scale Measurements



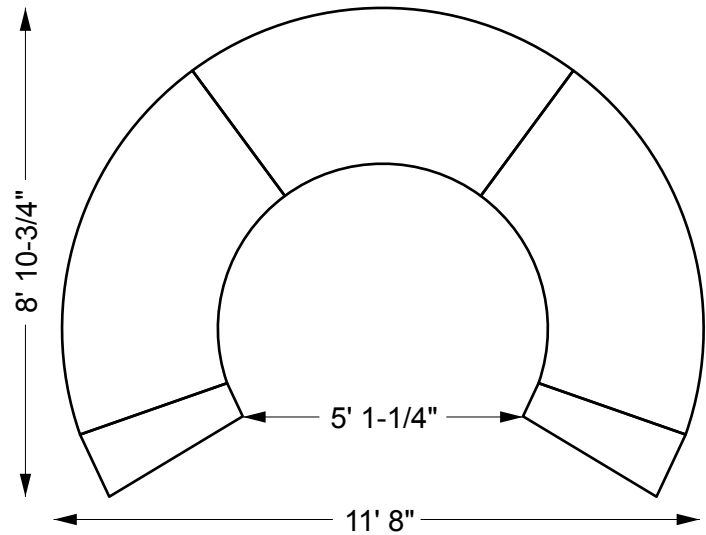
2 Curved Sectionals, 3 Wedge Tables



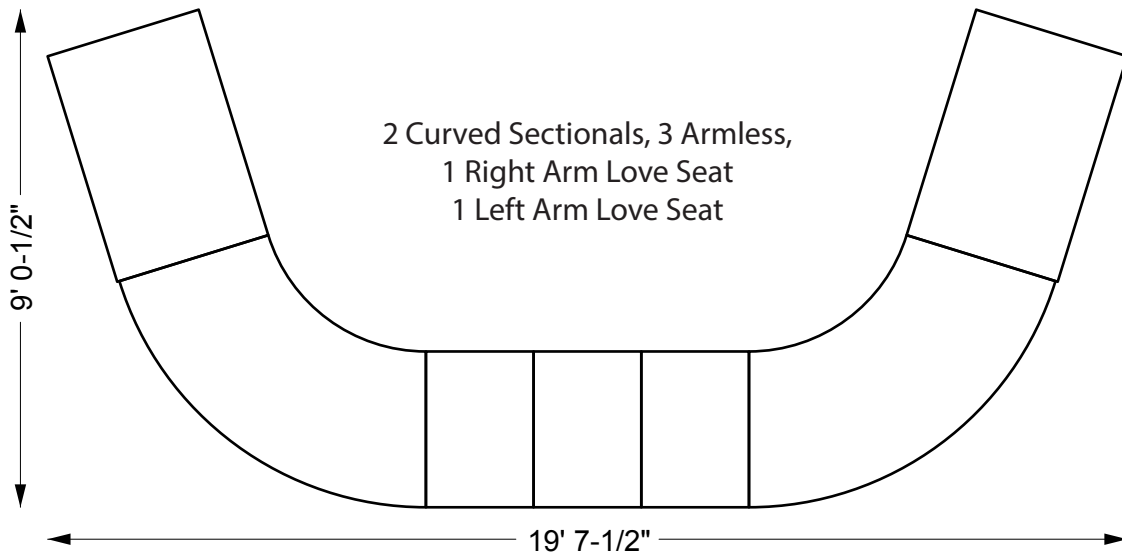
2 Curved Sectionals, 2 Wedge Tables



3 Curved Sectionals, 4 Wedge Tables



3 Curved Sectionals, 2 Wedge Tables



Caring For Lloyd Flanders® Woven Vinyl Casual Furniture

Lloyd Flanders® uses only premium Polyethylene woven materials for our luxury outdoor furniture. While this material is designed to endure the outdoor environment, it is beneficial to make sure the product is cleaned and maintained for your ultimate satisfaction.

Vacuum or use a soft brush on woven material and cushions to remove organic material and loosen surface soil. Wash with a mild detergent and clean water solution to remove soil. Rinse and allow to dry thoroughly before use.

Caring For Lloyd Flanders® Cloud Cushioning

Cushions upholstered in Sunbrella® or other solution dyed acrylic fabrics may be cleaned with one cup of chlorine bleach diluted in one gallon of water with a small amount of mild detergent. Test in a small inconspicuous area. Saturate a cloth or soft brush with the solution. Scrub the entire cushion and rinse well with clean water and let air dry.

Printed acrylic fabric may be scrubbed with a solution of mild detergent and warm water. Do not use bleach. Rinse and air dry. Do Not Put In Dryer Or Send Out To Dry Cleaners.

If excessive waters accumulates in the cushion, stand upright with the open zipper or seam side down. The cushion should dry quickly as this facilitates the draining of the water through the fibers.