

# EVERGREEN™ WOOD BURNING STOVE



EXPIRES DEC. 31ST  
2016

## Specifications

- Heating Capacity: Up to 2,000 Square Feet\*
- Efficiency: Up to 74.5%\*\*
- Emissions: 3.6 Grams Per Hour\*\*\*
- Max. Btu/Hr Output\*\*: Up to 72,400 (Cord Wood)
- Max. Burn Time: Up to 10 Hours
- Firebox Size: 2.2 Cubic Feet
- Maximum Log Size: Up to 20.5"
- Weight: 355 pounds (with legs)
- Construction: 1/4" to 3/16" Steel Plate
- Glass Size: 183 Sq. In - 16 7/8" w x 10 7/8" h

\*Heating capacity will vary depending on the home's floor plan, degree of insulation, and the outside temperature. It is also affected by the quality and moisture level of the fuel.

\*\*This model was tested for efficiency using method B415.1-10 and was determined to have a weighted average Higher Heating Value (HHV) Overall Heating Efficiency (OHE).

\*\*\*This heater meets the 2015 U.S. EPA's crib wood emission limits for wood heaters sold after May 15, 2015. Tested to Method 28, 5G2 this heater has been shown to deliver heat at rates ranging from 10,800 to 39,400 BTU/hr. and an emission value of 3.6 g/hr.



### CHILD SAFETY

*If you have small children or even pets, we highly recommend you consider purchasing a safety screen or guard to prevent the possibility of burns resulting from accidental contact with the hot surfaces of the stove. Ask your Lopi dealer for their recommendations on safety options for your particular installation.*

*Evergreen wood stove shown with large capacity ash pan pedestal.*

**THE EVERGREEN™** For over 35 years Lopi has been the wood stove of choice for those seeking performance, function, and design. The mid-sized Evergreen hits the mark in all three categories. This sleek wood stove with its gentle curved lines complements any home's décor while artfully presenting heavy gauge steel Unibody construction and a cast iron door. The result is exquisite and reliable heating for decades to come.

With the standard bypass damper we've given you full control over the flow of smoke inside your Evergreen. Gone are the days of a smoky house during startups and reloads! Simply open the bypass via the pull ring located just above the door to draw smoke away from the door and up the chimney. Close the damper to drive smoke around the baffle and initiate the efficient secondary combustion process (more on this below).

Your burn rate, from a mellow overnight burn to a large rolling fire, is effortlessly managed by a single air control knob found below the stove's door. Combine that heat output with the cooktop surface to warm up the perfect bowl of soup during a power outage.



### Secondary Combustion Technology

Peer through the large self-cleaning ceramic glass to view the secondary combustion in action. It occurs at the top of the firebox where smoke, creosote, and gases are re-burned to reduce environmental pollution and increase the stove's efficiency. This means you burn cleaner, hotter fires using less wood = SAVING MONEY!



*Use your Phone QR code reader to watch a video of the fire in action.*



### Standard Ash Pan

A large capacity ash pan is included with both Leg and Pedestal Evergreen models. Simply sweep ash from inside the stove down through the Ash Pan Access Ports (two holes at the bottom of the firebox). The leg model holds approximately one month's worth of ash, and the pedestal model can hold approximately three months' worth.



### 400 CFM Fan Option

The optional 400 CFM fan takes the Evergreen's fantastic radiant heat and quickly and quietly distributes it throughout your home. There's no better resource than a high capacity fan when you want to quickly heat a large area of your home.

# GREEN START™

## THE GREATEST WOOD STOVE OPTION EVER!

GreenStart™ offers the ultimate in convenience and truly makes starting your wood stove as simple as pushing a button. Ask your authorized Lopi dealer for a demonstration.



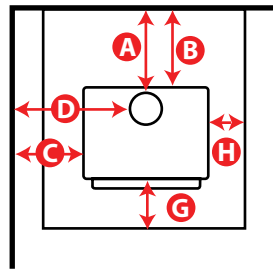
Use your Smart Phone QR code reader to watch a video on the amazing GreenStart™ Igniter.

## FREE WOOD MOISTURE METER

Lopi provides you with a FREE wood moisture meter to ensure you are burning dry, seasoned wood so that you can get the maximum enjoyment and heat from your new wood stove.

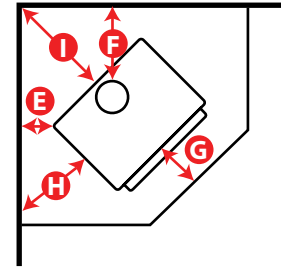


## CLEARANCES & HEARTH PROTECTION



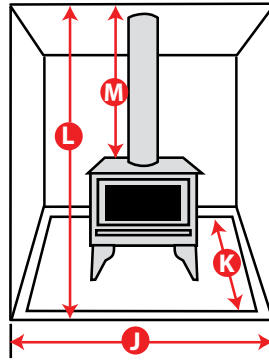
### STRAIGHT WALL

Measured to combustibles



### CORNER

Measured to combustibles

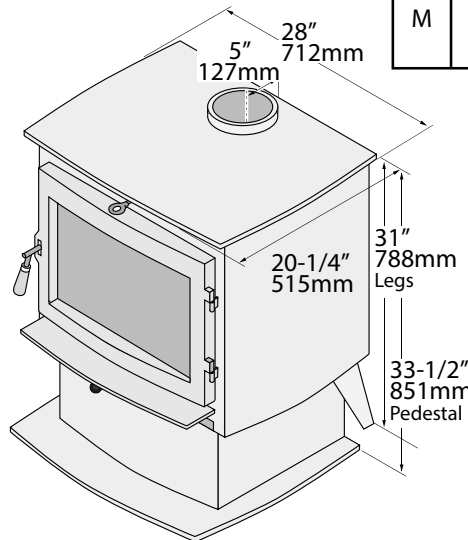


### ALCOVE

Minimum measurements

	Single Wall Connector	Double Wall Connector
A	19"	10-1/2"
B	17"	9"
C	12"	11"
D	22-1/2"	21"
E	8"	4"
F	17-1/2"	13-1/2"
	USA	CANADA
G	16"	18"
H	6"	8"
I	6"	8"
J	50"	50"
K	48"	48"
L	84" to combustible measured to floor	
M	6" to non-combustible measured to stove top	

## DIMENSIONS



Listed By Intertek® Test Labs

Conforms to UL STD 1482

Certified to ULC S627-2000

Mobile Home Approved  
Hearth Stove Approved

## YOUR AUTHORIZED LOPi DEALER:



www.lopistoves.com  
Manufactured in Mukilteo, WA